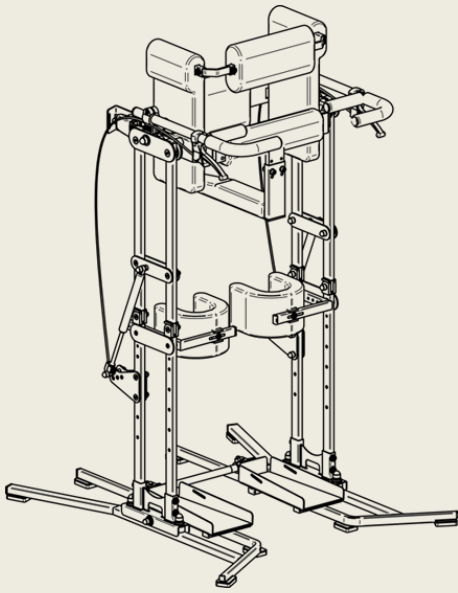


Assembly Procedure



Step 1



Step 2



Step 3



Step 4



Step 5



Step 6



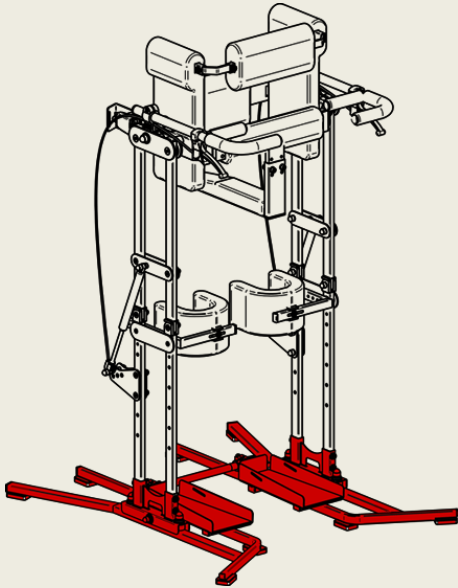
Step 7



Step 8



Step 1



1a



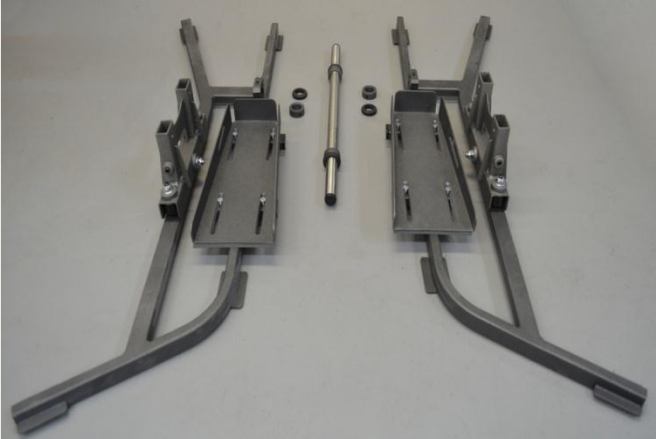
1b



1c



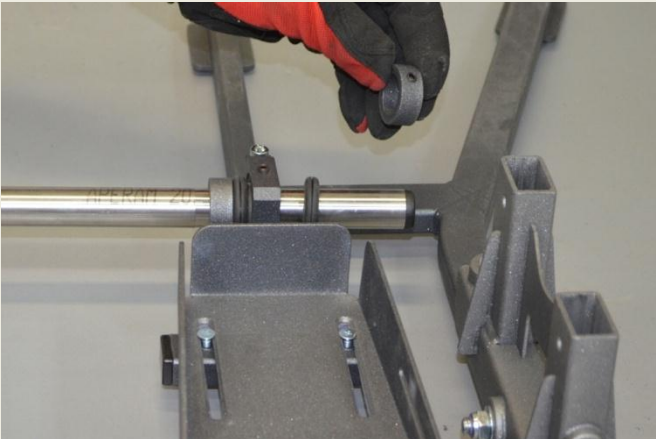
1.1



1.2



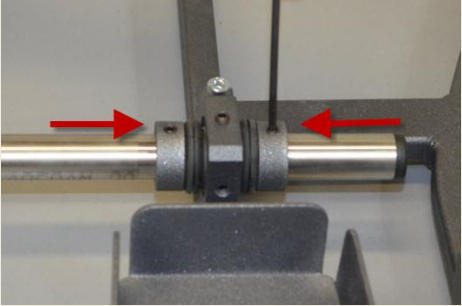
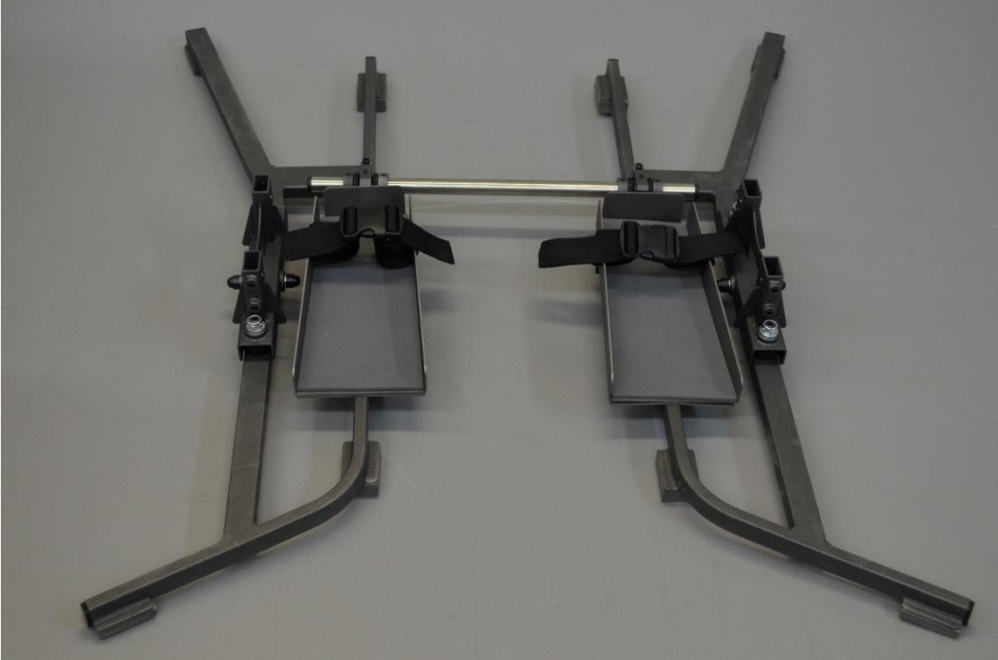
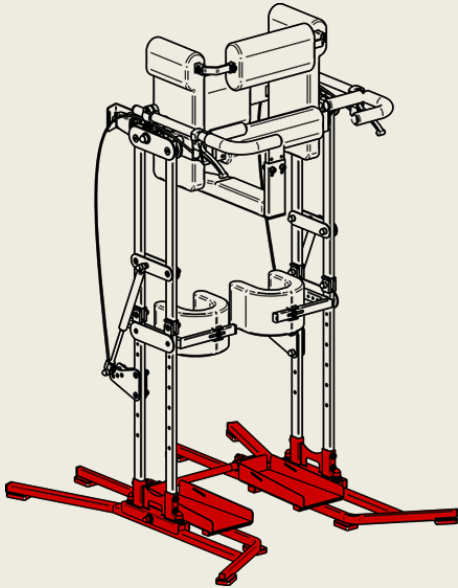
1.3

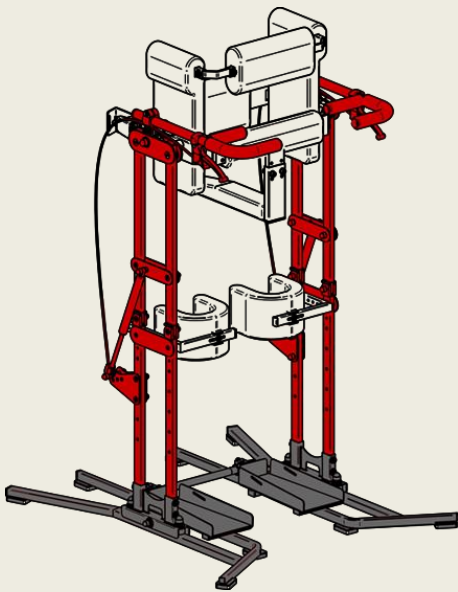


1.4



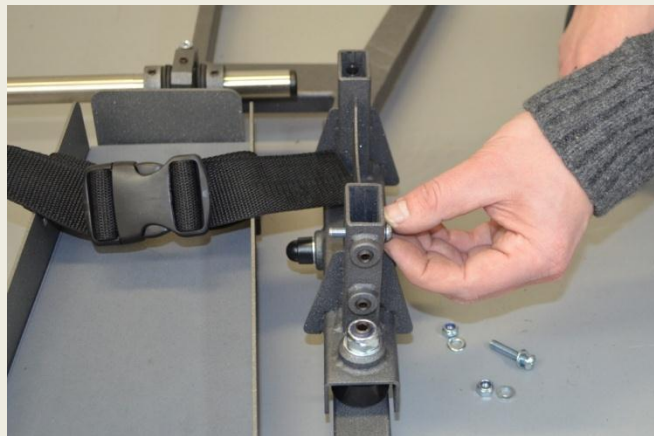
Step 1



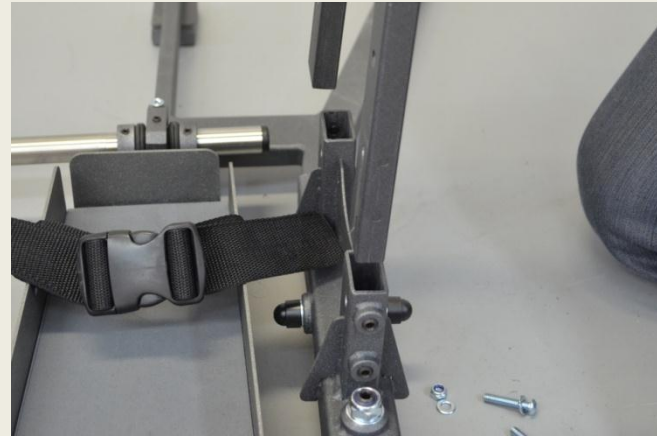


Step 2

2.1



2.2



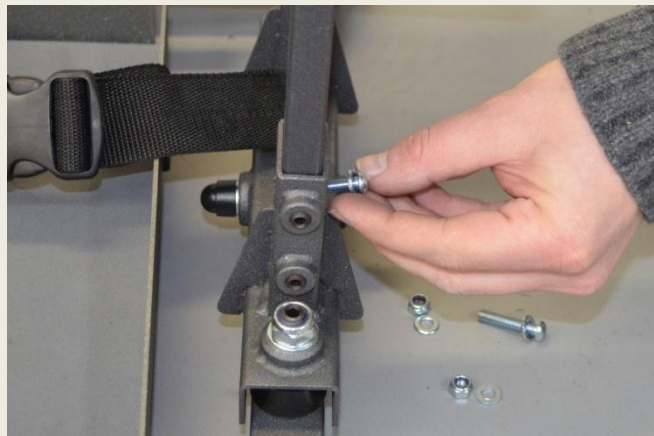
2a



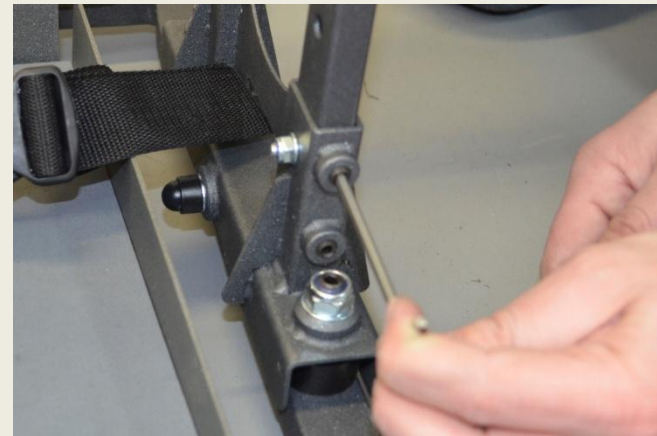
2b



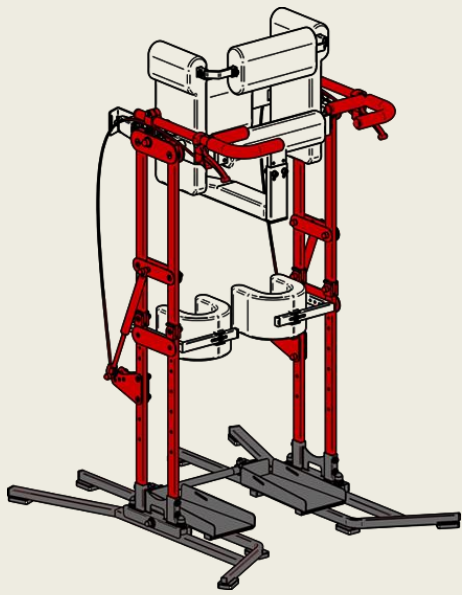
2.3



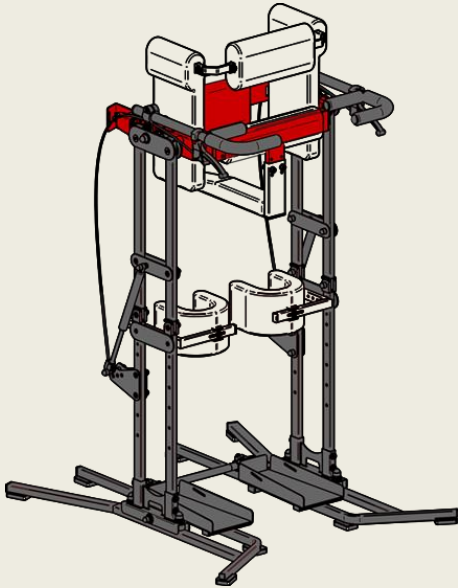
2.4



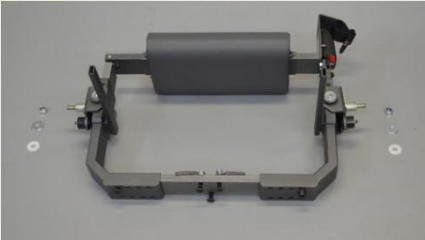
Step 2



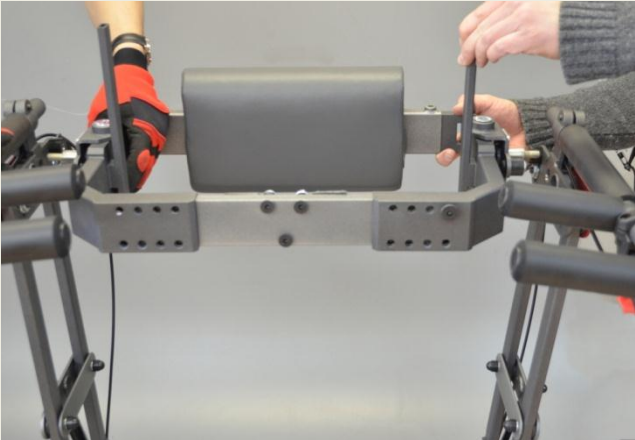
Step 3



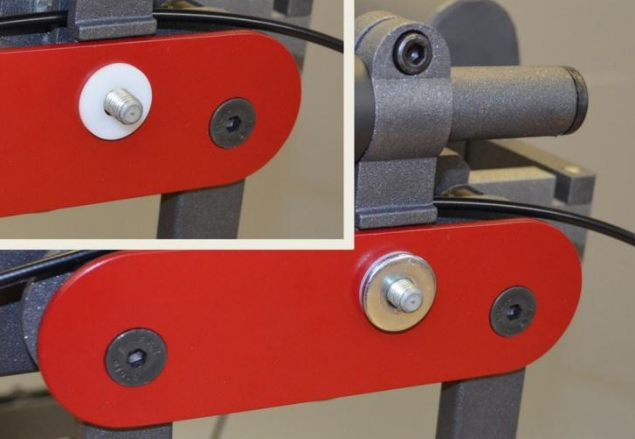
3a



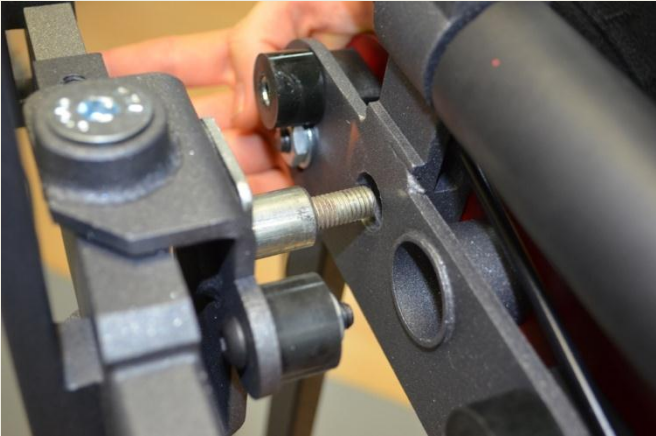
3.1



3.3



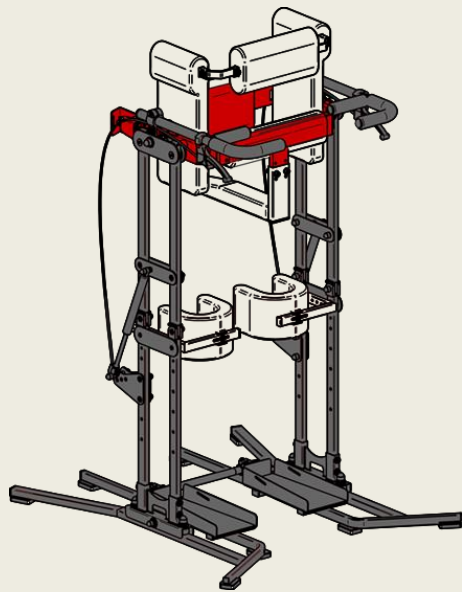
3.2



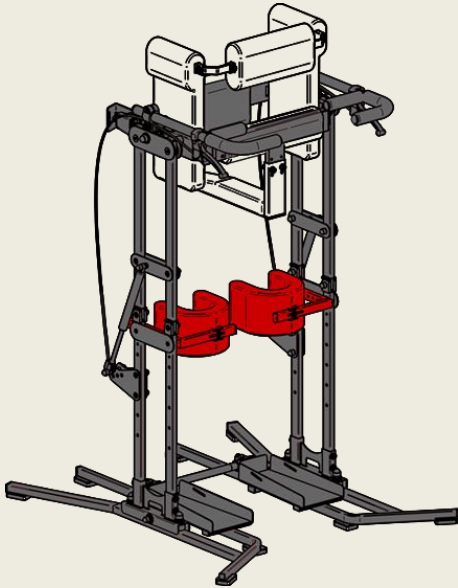
3.4



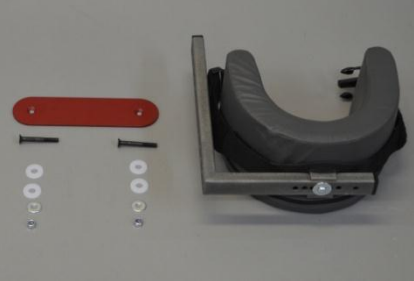
Step 3



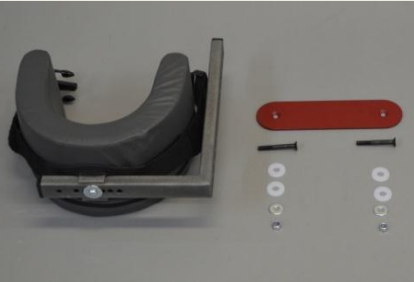
Step 4



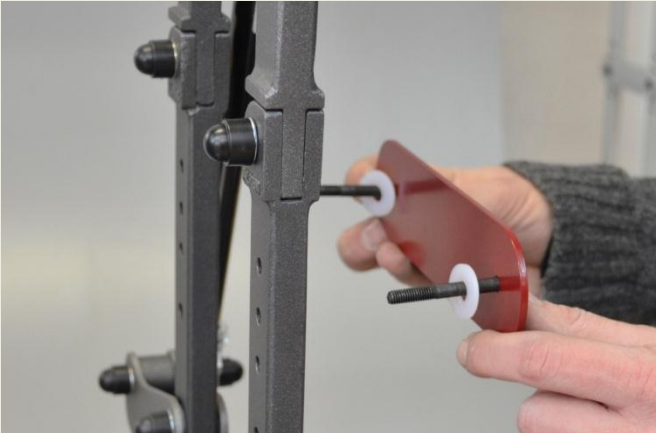
4a



4b



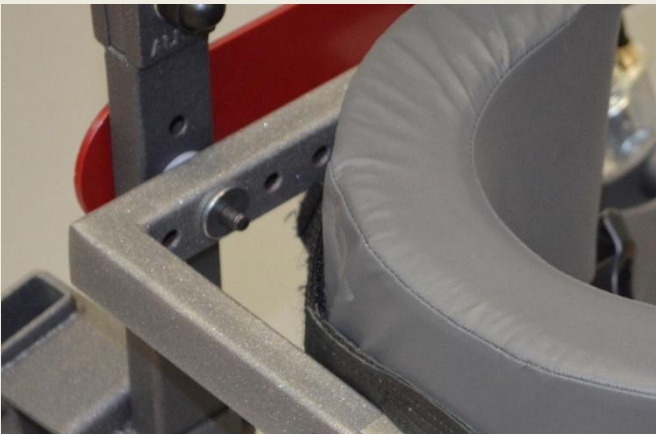
4.1



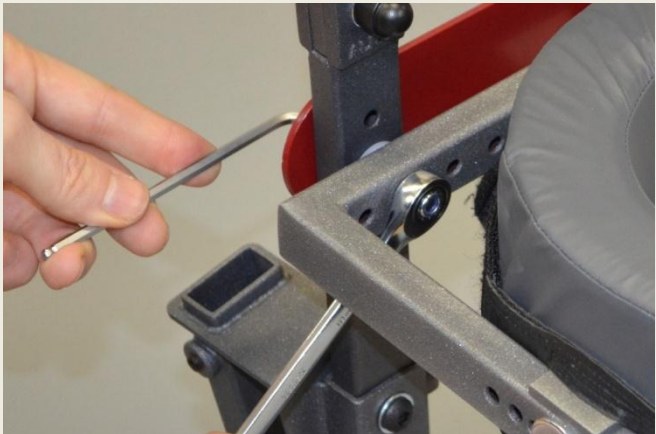
4.2



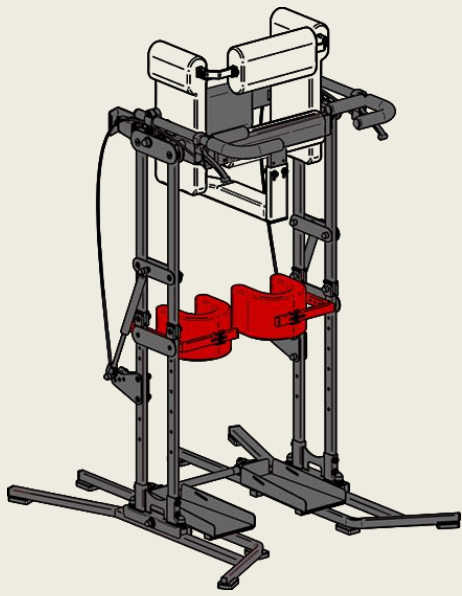
4.3



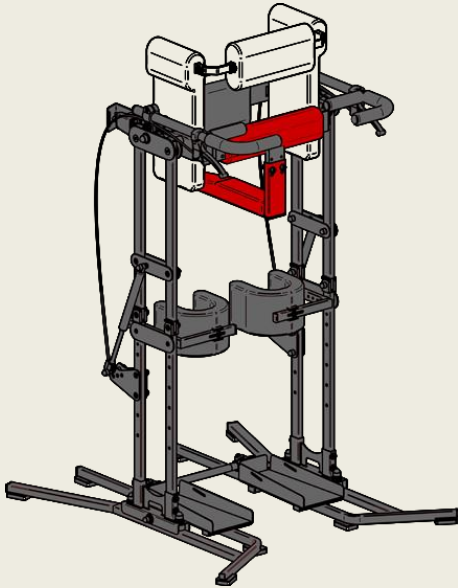
4.4



Step 4



Step 5



5a

5b



5c



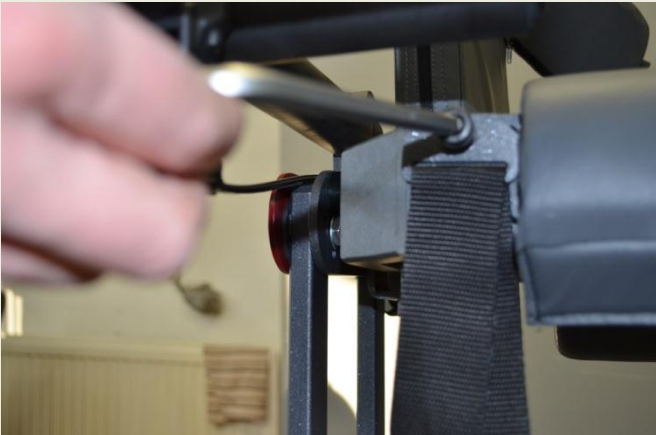
5.1

5.2

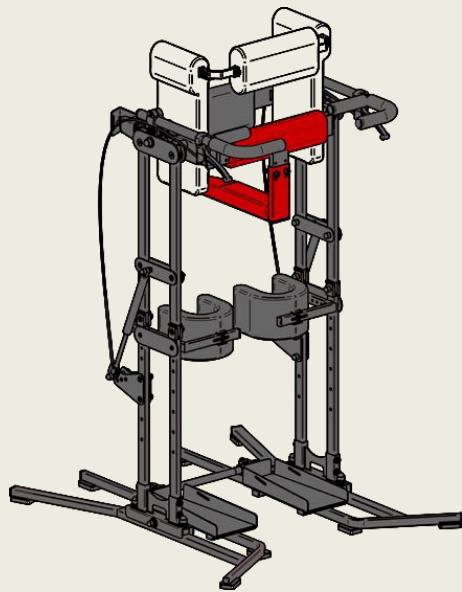


5.3

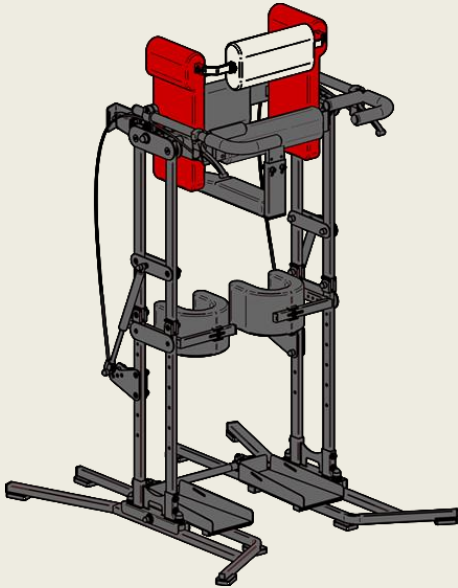
5.4



Step 5



Step 6



6a



6b



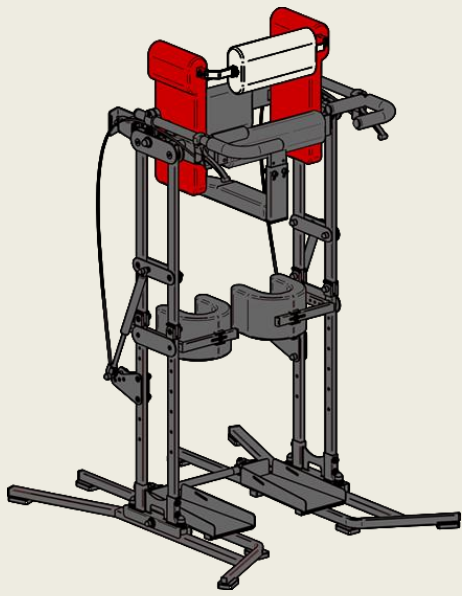
6.1



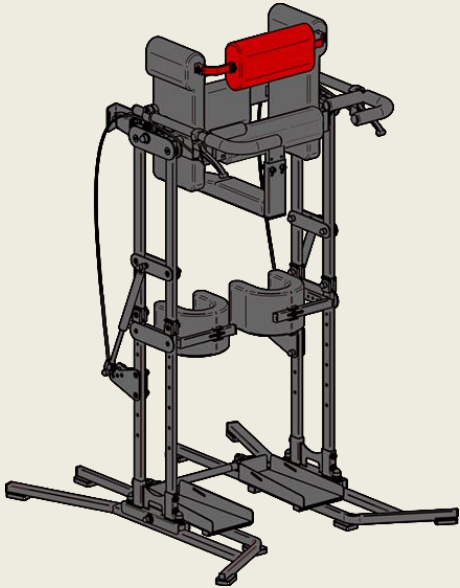
6.2



Step 6



Step 7



7a



7.1



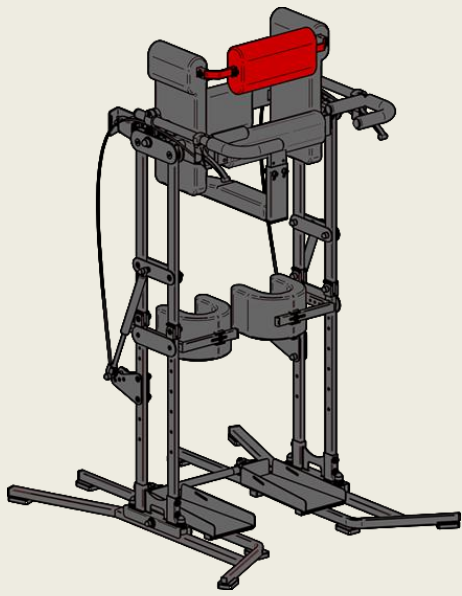
7.2



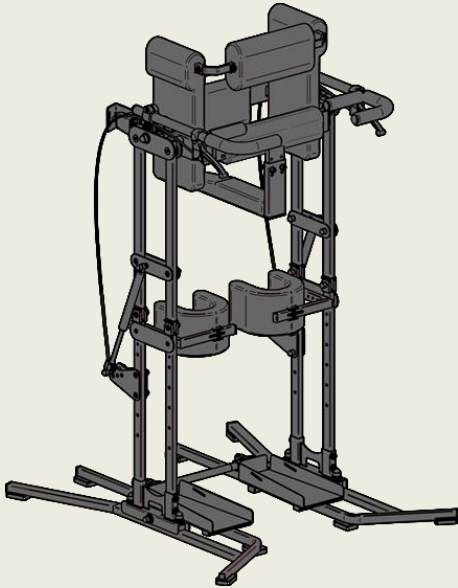
7.3



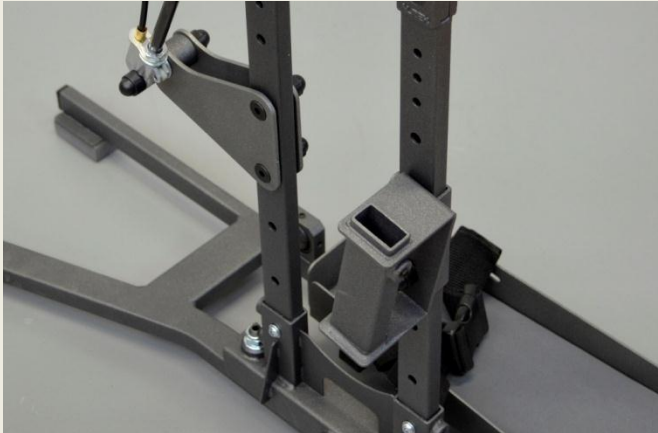
Step 7



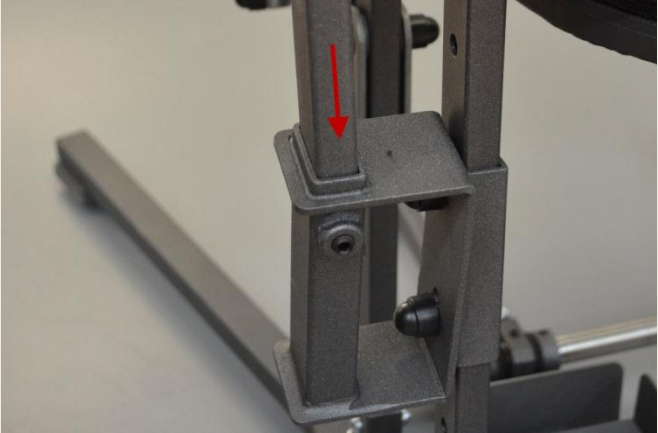
Step 8



8.1



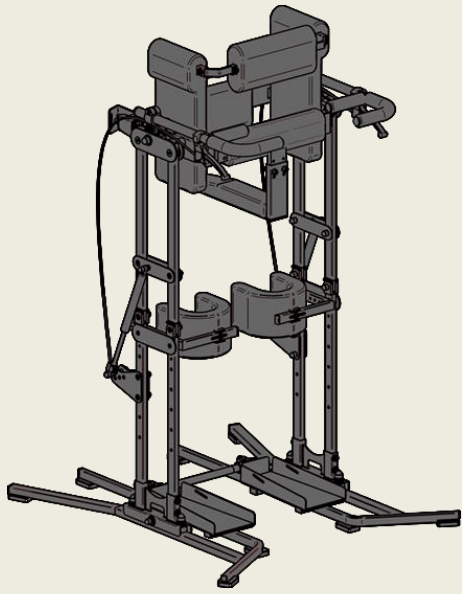
8.2



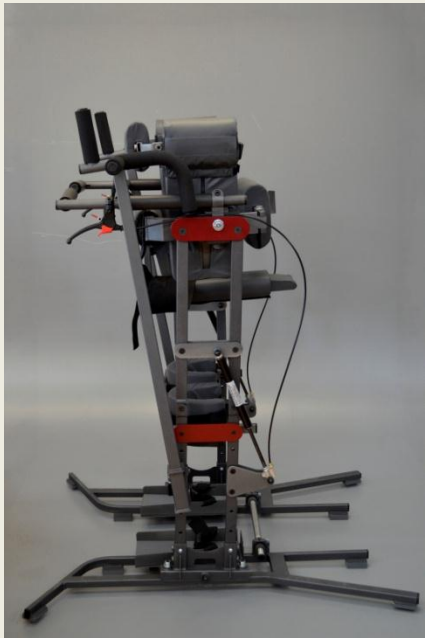
8.3



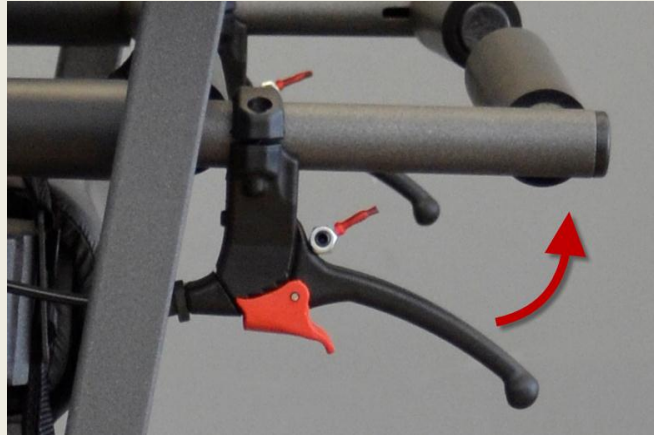
Step 8



How to Use Release Levers



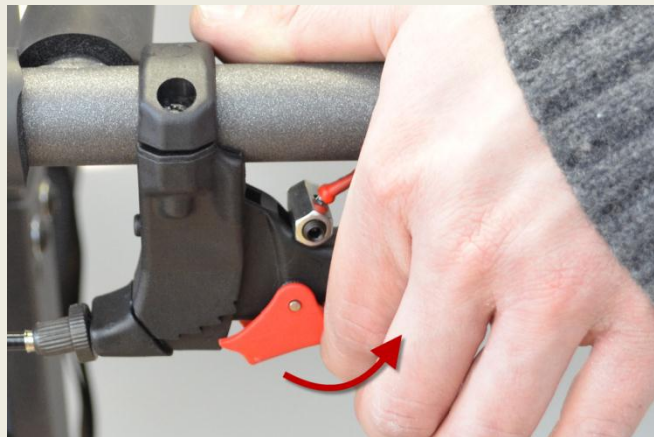
9.1



9.2



9.3



9.4

